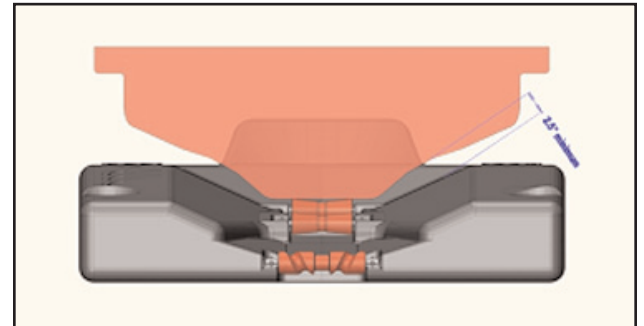


Permaport Stabilizing Rollers

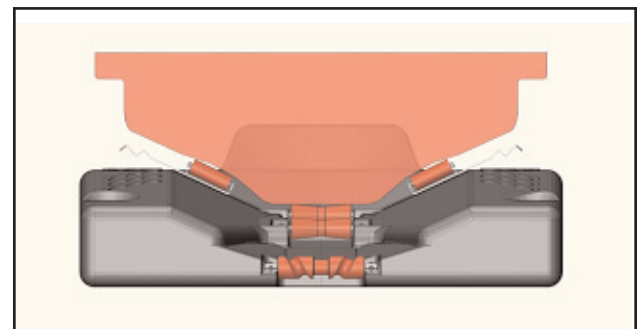


Recent developments from Jet Ski Manufacturers have meant that the hulls on some Jet Ski's have been given a steeper angle from the water. In some cases this has led to the Jet ski leaning when parked in a Permaport. Cellofoam has therefore developed a stabilizing roller to be used in conjunction with both their 58" and 62" Permaports.

In order to determine if one of these additions can be used in conjunction with any particular Jet ski it is necessary to measure the gap between the hull and the port. There should be a minimum of 2.5" between the hull and the Port on both sides when the port is sitting level. This dimension should be at the second roller from the front. (see Detail). If there is not at least 2.5" at this position a stabilizer is not needed.



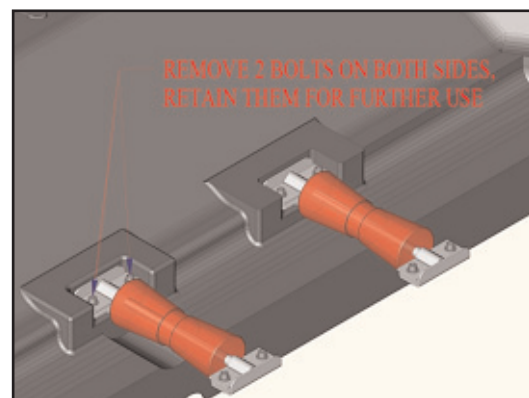
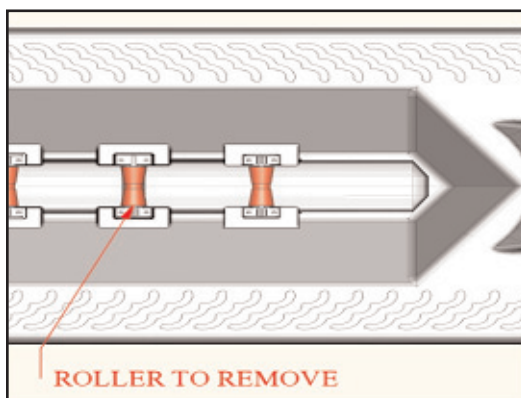
Before Disassembling the rollers check that there is enough room to fit the stabilizer rollers by inserting them in the gap as shown below. There will be enough room if the conditions above are met.



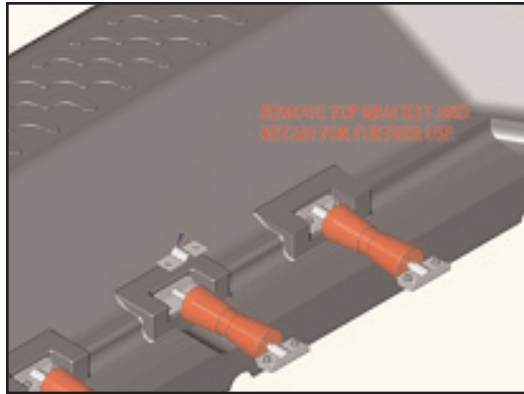
Fitting of Rollers

Before Disassembling the rollers check that there is enough room to fit the stabilizer rollers by inserting them in the gap as shown below. There will be enough room if the conditions above are met.

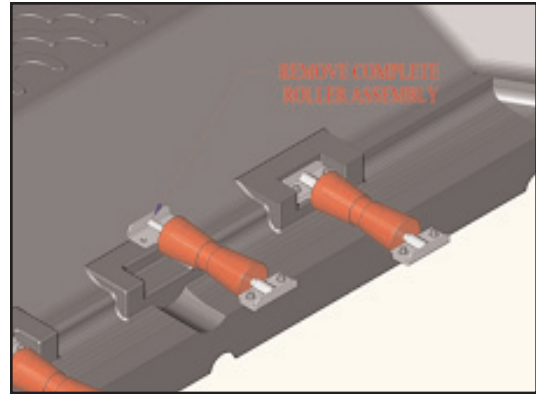
1. Remove the screws holding the roller onto the port. This needs to be the second roller as shown.



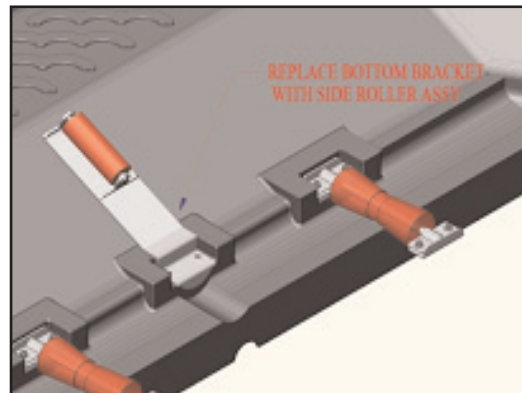
2. Remove the top Bracket



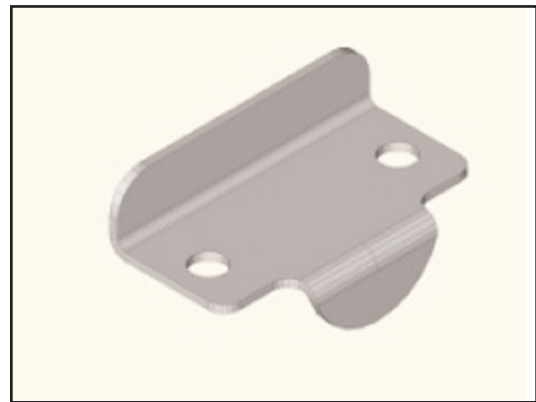
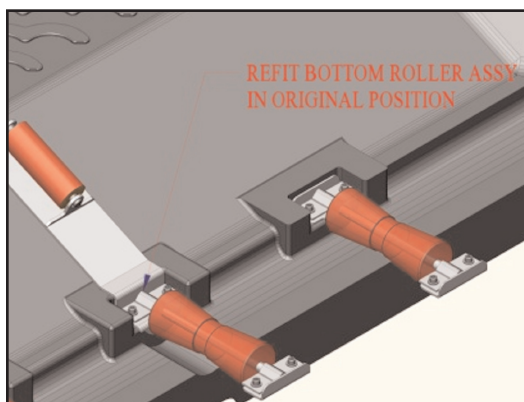
3. Remove the whole roller assembly



4. Replace bottom bracket with Stabilizer Bracket



5. Reattach the original roller without the bottom bracket.



WARNING

After fitting the Permaport with the Stabilizers the Permaport is only suitable for use with Jetski's with a deep V Hulls. Placing a Jet Ski with a shallow V Hull on the Permaport will possibly lead to damage to either the JetSki, the port or both.