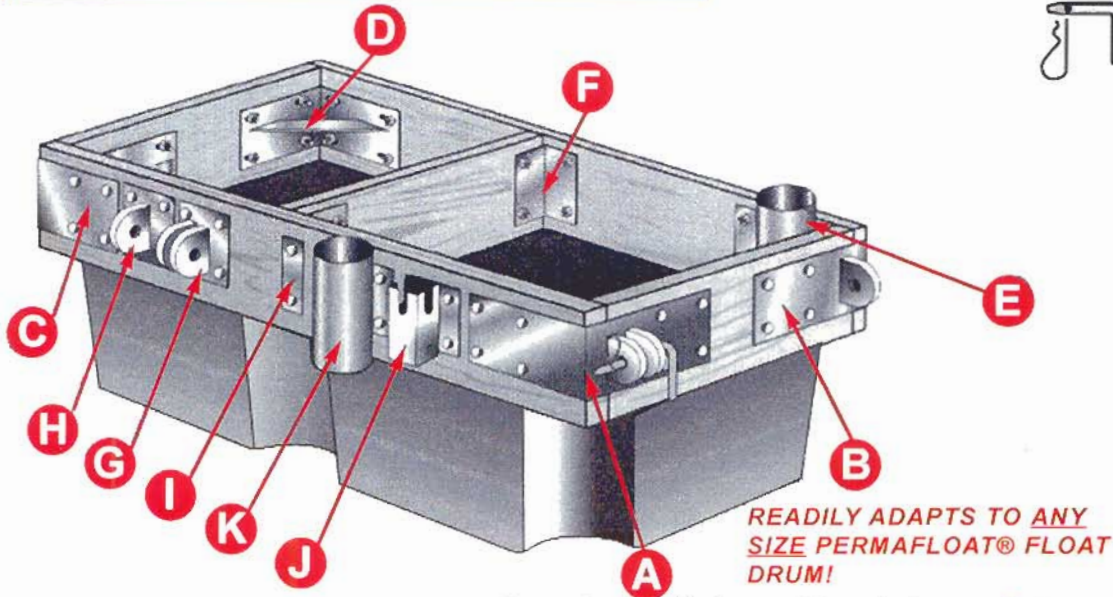


Galvanized Structural Steel

DOCK SYSTEM



**READILY ADAPTS TO ANY
SIZE PERMAFLOAT® FLOAT
DRUM!**

A Outside Corner (Female) - has two 1/2" welded tabs. Use with a male outside corner. Each leg is 10"L x 5"H. P/N 26400 WT 9.0

B Outside Corner (male) - has one 1/2" welded tab. Use with a female outside corner to connect docks end to end. Joint requires 3/4" bolt set (N) or connector pin (O). Each leg is 10"L x 5"H. P/N 25491 WT 8.5

C Outside Corner End - use this corner at ends of fingers and docks. Ideal for swim floats and ski jump corners. Each leg is 10"L x 5"H. P/N 26402 WT 7.0

D Inside Corner - this heavy-duty inside corner should be used with one of the outside corners. Each leg has elongated holes for easy fit-up and is 8-1/4"L x 6"H. P/N 26403 WT 6.5

E Inside Corner/Pipe Holder 3"
(P/N 26404) WT 11.5

These heavy-duty inside corners should be used with one of the outside corners and has an internal pipe holder to be used with either 2" pipe (P/N 26404) or 1-1/2" pipe (P/N 26405). Welded gusset gives strength to the dock's frame. Measures 8-1/4"L x 5"H. Requires carriage bolt set (M) for attaching.

F Angle - use this heavy-duty angle for all cross supports. Each leg measures 2-1/2"L x 5"H. P/N 26406 WT 1.75

G Female T Connector - has two welded 1/2" tabs. Bolts to side of dock to attach fingers and ramps. 5"L x 5"H. P/N 26528 WT 3.5

H Male T Connector - has one welded 1/2" tab. Use with female T connector to attach fingers and ramps. 5"L x 5"H. 3/4" bolt set (N) required for joint. P/N 26532 WT 3.25

I Washer Plate - use two washer plates with each angle. Measures 1-1/2"L x 5"H. P/N 26409 WT 0.5

J Chain Retainer - bolts to side of dock. Use weights and chains to hold dock in place. Accommodates 1/4", 3/8", & 1/2" chain. Measures 5"L x 5"H. P/N 26410 WT 3.75

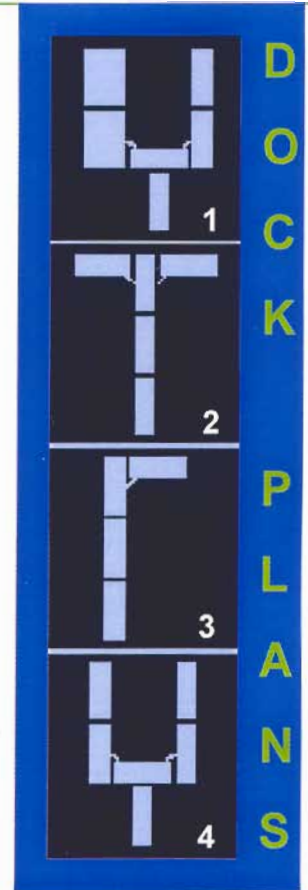
K Pipe Holder/Outside 3" - bolts to outside of dock. Carriage bolt set (M) required for attaching. Use 2" pipe to hold dock in place. P/N 26411 WT 8.25



L Connector Pin Set - for quick disconnect. Used to connect male and female connectors. Galvanized 3/4" connector pin and hitch clip pin. P/N 26531

Permafloats' Dock Hardware is designed for use with 1-1/2" thick lumber (minimum width 6"). All hardware is mounted with 1/2" carriage bolts. All male and female dock to dock connections are made with either 3/4" bolts with lock nuts or 3/4" connecting pins (L).

Permafloats' Wood Dock Plans will help you determine the exact hardware requirements for your dock configuration.



permafloat®

1961 Industrial Blvd., Conyers, GA 30012
(888) 985-3626 FAX (770) 860-1725
Division of Cellofoam® North America Inc
www.cellofoam.com